

**100%** Money Back  
**Guarantee**

**Vendor:**Cisco

**Exam Code:**300-610

**Exam Name:**Designing Cisco Data Center  
Infrastructure (DCID)

**Version:**Demo

### QUESTION 1

What are two reasons to select OTV as the DCI solution to connect multisite topologies? (Choose two.)

- A. It propagates hosts reachability without support of traffic flooding.
- B. Layer 3 failures do not propagate beyond the OTV edge device.
- C. It extends the spanning tree between data centers.
- D. It is an open standard.
- E. It constrains HSRP hello messages to each data center.

Correct Answer: AE

OTV introduces the concept of “MAC routing,” [...] it is justified by the need to limit flooding of Layer 2 traffic across the transport infrastructure.

The last capability introduced by OTV is to filter First Hop Redundancy Protocol (FHRP—HSRP, VRRP, and so on) messages across the logical overlay.

[https://www.cisco.com/c/en/us/td/docs/solutions/Enterprise/Data\\_Center/DCI/whitepaper/DCI3\\_OTV\\_Intro/DCI\\_1.html](https://www.cisco.com/c/en/us/td/docs/solutions/Enterprise/Data_Center/DCI/whitepaper/DCI3_OTV_Intro/DCI_1.html)

---

### QUESTION 2

A Cisco UCS instance has four interfaces on a UCS VIC. Where on the fabric interconnect does each interface terminate?

- A. vPC
- B. virtual interface
- C. port channel
- D. physical port

Correct Answer: B

Reference: <https://www.cisco.com/c/dam/en/us/products/collateral/servers-unified-computing/ucs-6300-series-fabric-interconnects/cisco-unified-fabric.pdf>

---

### QUESTION 3

A network consultant evaluates the Cisco UCS Fabric Interconnect SAN configuration, which must meet these requirements:

1.

All traffic must pass over the upstream device for switching and domain IDs must be preserved in the fabric.

2.

Each server should be pinned to one designated upstream interface and for the traffic to pass through the pinned port. Which Fabric Interconnect SAN operational mode meets these requirements?

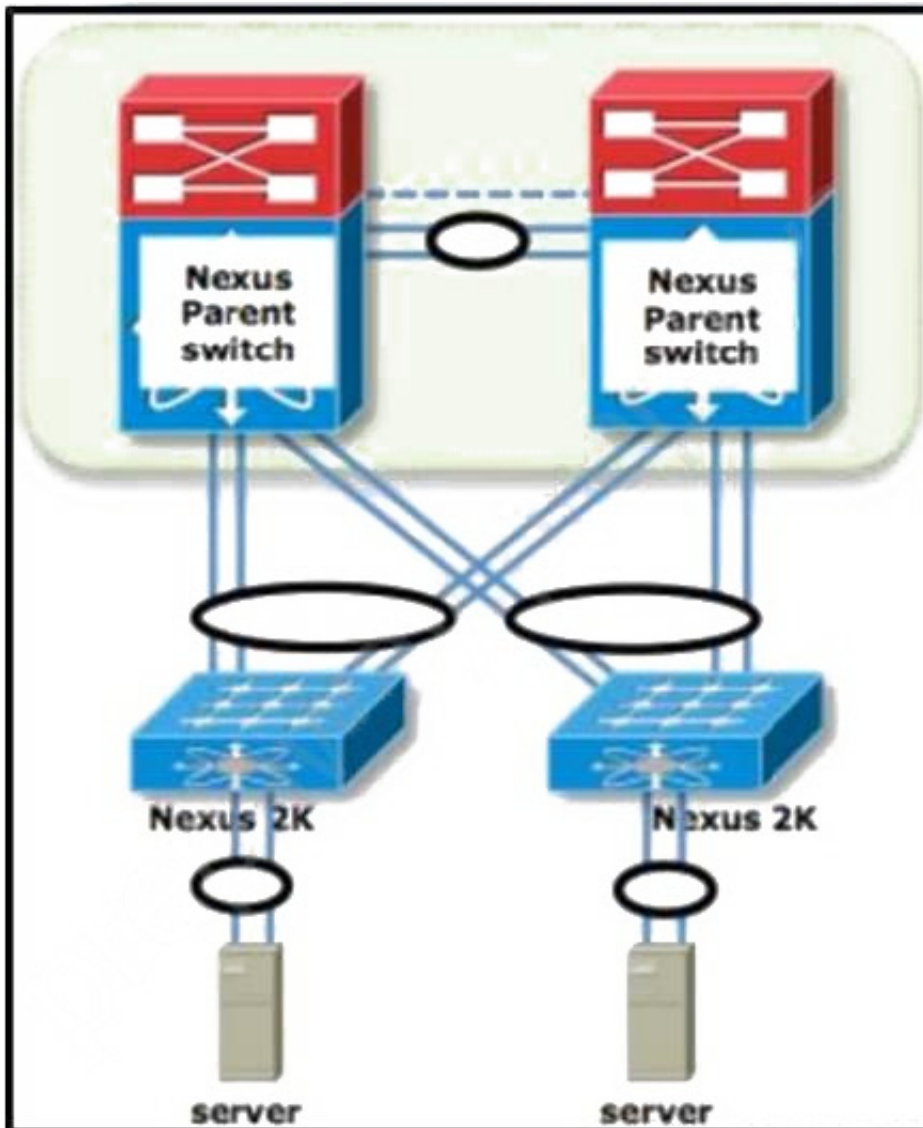
- A. end host
- B. switch
- C. NPIV
- D. Fibre Channel

Correct Answer: B

---

#### **QUESTION 4**

Refer to the exhibit.



A Cisco engineer is configuring an active/active design that consists of Cisco Nexus 7000 Series Switches with Fabric Extenders using a vPC. The desired outcome is to allow the connection of servers/storage/devices to a single FEX, and use the FEX port channels to each parent switch to provide redundancy. The engineer configures FEX and FEX ID to be identical on both sides. During initial tests, an issue occurs with the straight-through FEX and active/active FEX configuration. What is the most probable reason?

- A. They are not enabled on vPC+ deployments.
- B. FEX-AA is not a supported F-Series module.
- C. They cannot exist on the same ASIC instance.
- D. Full duplex is disabled for FEX connectivity.

Correct Answer: C

### QUESTION 5

A SAN fabric is built between a pair of Cisco MDS 9000 Series Switches. The requirement is for the ISL to use the VSAN ID to forward traffic from multiple VSANs across the same physical link. Additionally, the Fibre Channel trace feature must be supported.

Which ISL interface parameters are required to meet these requirements?

- A. switchport mode TE switchport mode trunk vsan
- B. switchport mode TE switchport mode trunk
- C. switchport mode E switchport mode trunk vsan
- D. switchport mode E switchport mode trunk

Correct Answer: B

---

### QUESTION 6

An architect needs vendor-agnostic technology to orchestrate and automate a customer network with scripts. The technology must support running ad-hoc scripts from the CLI and support a deployment of scripts based on a large, readily available set of support libraries.

Which technology must the architect choose?

- A. Python
- B. Puppet
- C. Cisco Power Tool
- D. Cisco Intersight

Correct Answer: B

---

### QUESTION 7

A customer connects a high-speed Fibre Channel storage array to a Cisco MDS 9000 Series Switch using an 8 Gbps interface. Which action guarantees line rate traffic processing on the interface?

- A. Set global buffering with B2B\_credits for the interface.
- B. Set local buffering with B2B\_credits for the interface.
- C. Configure the interface rate mode as dedicated.
- D. Configure the interface rate mode as shared.

Correct Answer: C

---

### QUESTION 8

Which orchestration tool provides a graphical interface to manage LAN and SAN fabrics?

- A. Cisco Virtual Topology System
- B. Cisco Data Center Network Manager
- C. Cisco Nexus Fabric Manager
- D. Cisco CloudCenter

Correct Answer: B

Reference:

[https://www.cisco.com/c/en/us/td/docs/switches/datacenter/sw/DCNM\\_OLH/SAN\\_Client/fm\\_help/fmc.html#34479](https://www.cisco.com/c/en/us/td/docs/switches/datacenter/sw/DCNM_OLH/SAN_Client/fm_help/fmc.html#34479)

---

### QUESTION 9

Which multicast rendezvous point redundancy mode is valid for Bidirectional PIM?

- A. Embedded RP
- B. Phantom RP
- C. MSDP
- D. PIM anycast RP

Correct Answer: B

Check the Phantom RP section in: [https://www.cisco.com/c/en/us/products/collateral/ios-nx-os-software/ip-multicast/whitepaper\\_c11-508498.html](https://www.cisco.com/c/en/us/products/collateral/ios-nx-os-software/ip-multicast/whitepaper_c11-508498.html)

---

### QUESTION 10

Which feature must be configured to connect a classical Ethernet network to a data center network so that the data center network appears to be one large switch.

- A. VPC+
- B. UDLD
- C. EVPN
- D. OSPF

Correct Answer: A

A vPC allows links that are physically connected to two different Nexus switches to appear as single portchannel to a

server or another switch.

---

#### **QUESTION 11**

Which protocol prevents fiber failures from causing a Layer 2 loop in a dark fiber DCI?

- A. BFD
- B. UDLD
- C. MCP
- D. LLDP

Correct Answer: B

DCI: DataCenter Interconnect (not ACI - which is another Cisco product)

Dark Fiber: is the marketing term for a direct fiber cable dug in the ground between two DCs.

UDLD is Uni-directional Link Detection protocol that is used to detect if there is a problem with rx/tx in the fiber strands that may cause switching loop.

---

#### **QUESTION 12**

Which authentication software natively runs within the CLI of Cisco NX-OS devices?

- A. Python
- B. Ansible
- C. Puppet
- D. Chef

Correct Answer: C

"Authentication" does not make sense, of course. And as it is automation software, it must be Python. Ansible software does not run natively on the NX-OS device. NX-OS can be a client device managed by Ansible, but this does not mean it runs Ansible. The same holds for Puppet. Even if there is native Puppet agent for NX-OS, it does not mean (at least for me), it runs Puppet.

<https://www.ciscolive.com/c/dam/r/ciscolive/us/docs/2015/pdf/BRKDCT-2459.pdf>